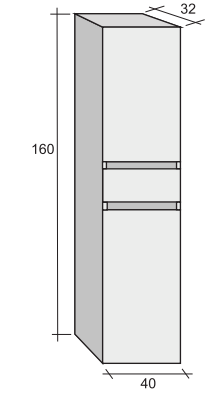


PORTO High Cabinet



1


Y-92 Y-28

H-79.5

2

2x

X2 X8
X2 X4
X2 X4
X2 X20



3

2x

4

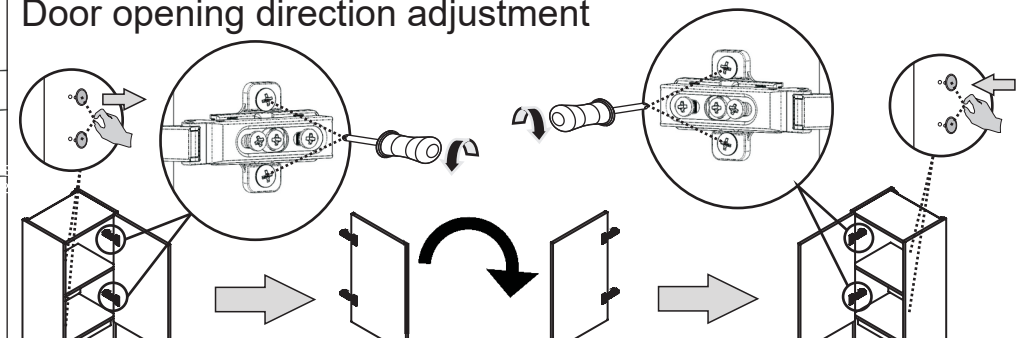
5

6

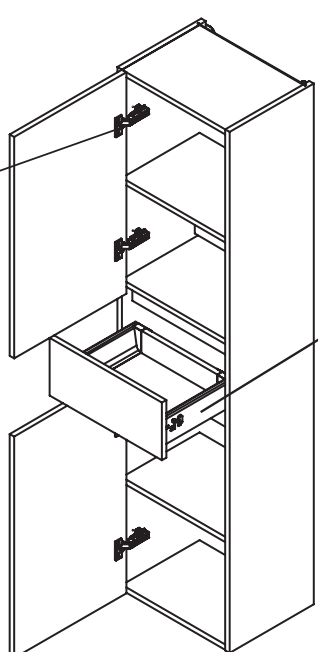
1 - Adjust horizontally
3 - Adjust vertically

7

Door opening direction adjustment



Drawer/Hinges Adjustment



1 - Adjust horizontally
2 - Adjust door opening
3 - Adjust vertically

1 - Adjust left / right
2 - Adjust in height
3 - Remove drawer
4 - Remove front

1 2 3 4